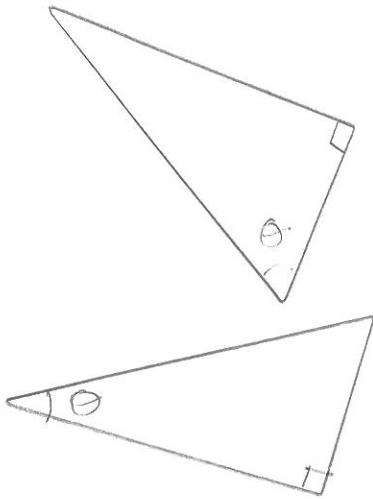
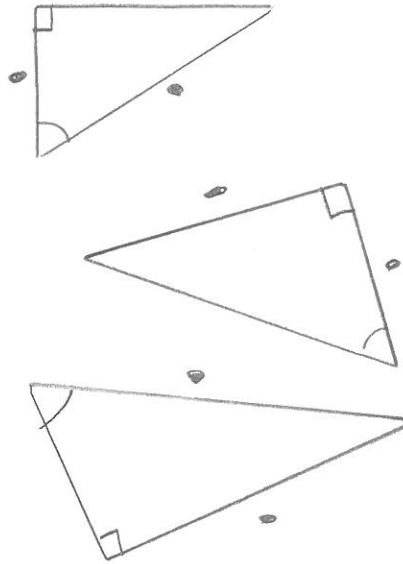


HOMEWORK 9 Term 3 Sheet 4 advanced

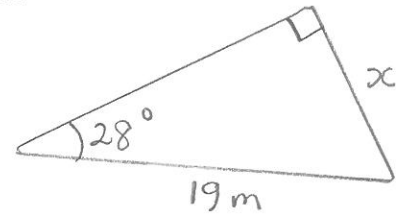
1. Label O, A, H.



2. SOH, CAH or TOA?

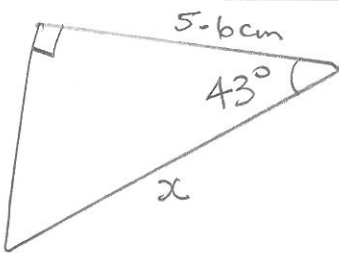


3.



$x =$

4.

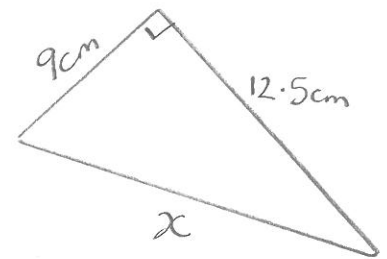


$x =$

5.

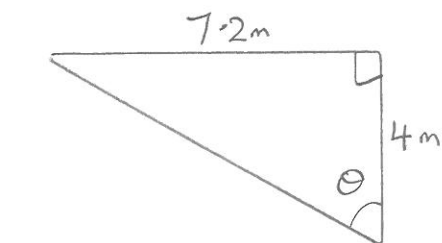
A 6m ladder makes an angle of  $34^\circ$  with the wall. How far is its base from the vertical wall?

6.



$x =$

7.



$\theta =$

8.

Write in degrees and minutes

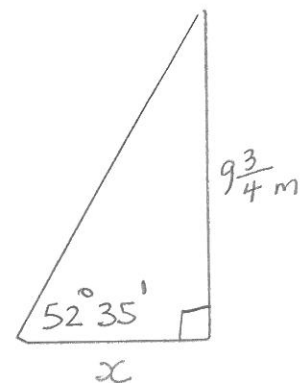
$26.5^\circ =$

$34.25^\circ =$

$15.1^\circ =$

$47.05^\circ =$

9.



$x =$