

HOMEWORK 9 Term 3 Sheet 3 advanced

1. factorise:

$$x^2 + 13x + 36$$

$$= (\quad) (\quad)$$

$$x^2 + 3x - 40$$

$$= (\quad) (\quad)$$

2. Simplify:

$$\sqrt{45} =$$

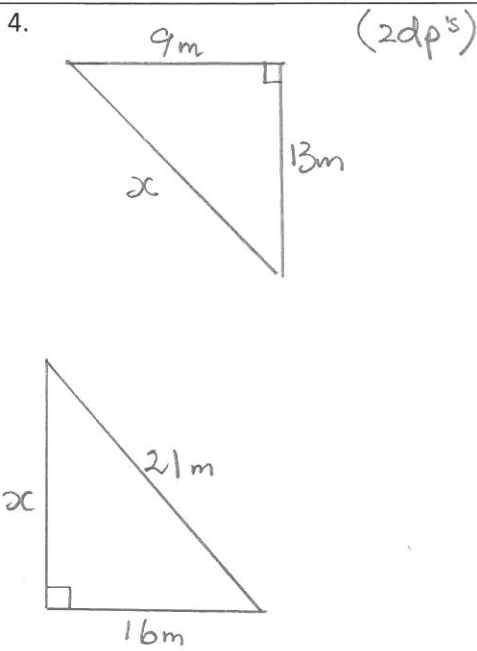
$$\sqrt{18} + \sqrt{50}$$

$$=$$

$$=$$

3. $A = P(1 + \frac{R}{100})^n$

How much will you have in the bank after investing \$600 at 5% p.a. for 3 years?



5. Simplify:

$$5(2a - 4) - 3(5 - a)$$

" "

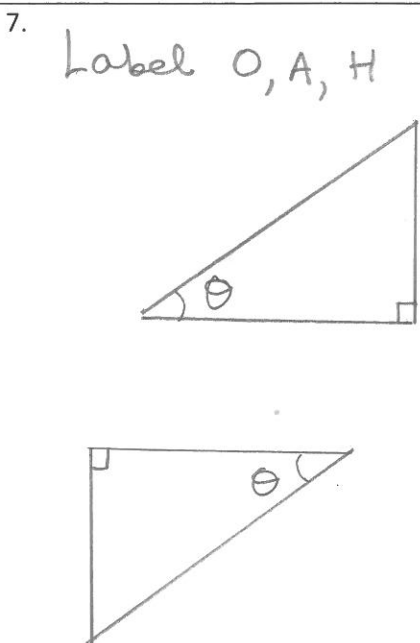
6.

10 17 12 9 16
21 15 8 10 17

$\bar{x} =$

mode =

median =



8. opp adj hyp

$\sin \theta = \frac{\quad}{\quad}$

$\cos \theta = \frac{\quad}{\quad}$

$\tan \theta = \frac{\quad}{\quad}$

Trig. Ratios

